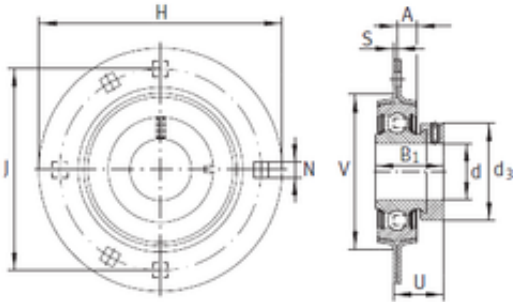




AMERICAN BEARING MFG.CORP.

Aichi D501 crane swing circle slewing bearing



RA20 Bearing 2D drawings and 3D CAD models

Bearing No. RA20

Bore Diameter	20 mm
d	20 mm
V	55 mm
U	25,5 mm
d3	33 mm
A	8 mm
B1	31 mm
H	90,5 mm
J	71,5 mm
N	8,7 mm
S	2 mm
Category	Flange Block Bearings
Inventory	0.0
Manufacturer Name	SCHAEFFLER GROUP
Minimum Buy Quantity	N/A
Weight / Kilogram	0.32
Product Group	M06110
Number of Mounting Holes	3
Mounting Method	Eccentric Collar
Housing Style	3 Bolt Round Flange Block
Rolling Element	Ball Bearing
Housing Material	Stamped Steel
Expansion / Non-expansion	Non-expansion
Mounting Bolts	8.7 Millimeter
Relubricatable	No
Insert Part Number	RAE20NPPB



AMERICAN BEARING MFG.CORP.

Seals	Double Lip Contact
Housing Configuration	1 Piece Solid
Pilot Configuration	No Pilot
Inch - Metric	Metric
Long Description	3 Bolt Round Flange Block; 20MM Bore; 71MM Bolt Circle; 61MM Bolt Spacing; 1 Piece Solid; Eccentric Collar Mount; Stamped Steel; Ball Bearing; 31MM Length Thru Bore; No Relubricatable; Double Lip Cont
Other Features	Single Row With Set Screw
Category	Flange Block
UNSPSC	31171501
Harmonized Tariff Code	8483.20.40.40
Noun	Bearing
Keyword String	Flanged
Manufacturer URL	http://www.ina.com
Manufacturer Item Number	RA20
Weight / LBS	0.705
Nominal Bolt Circle Diameter Round	2.8 Inch 71 Millimeter
Cartridge Pilot Depth	0 Inch 0 Millimeter
Bore	0.787 Inch 20 Millimeter
Length Thru Bore	1.22 Inch 31 Millimeter
Bolt Spacing	2.4 Inch 61 Millimeter
Cartridge Pilot Diameter	0 Inch 0 Millimeter